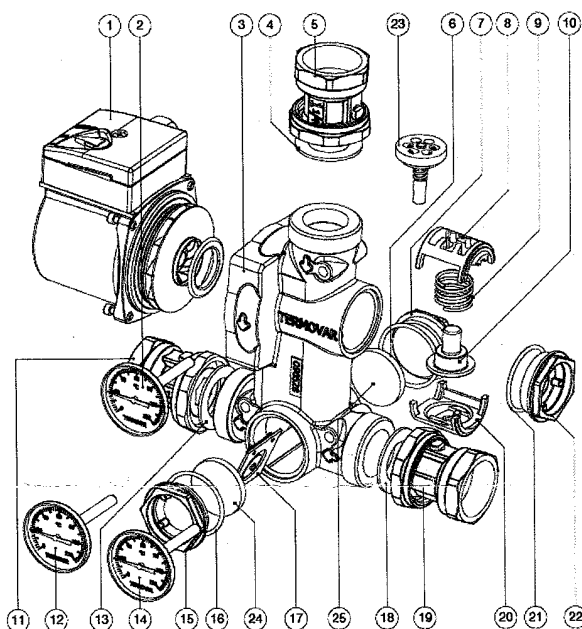


1920065	1920064	1920069	1920063	1920062	1920061
80°C=1456	72°C=8719	66°C=1240	61°C=8743	55°C=8749	45°C=9311

TERMOVAR 1994 –

1 x Thermic element (10)
1 x O-ring 36,2 x 3 EPDM (21)



TERMOVAR 1980 – 2012

1 x Thermic element
4 x screw M5 x 10
1 x Sealing

